

Proposal

4601 Commercial Avenue Marion, IA 52302 319.373.1425

Proposal Submitted To: New Hampton Community Schools		Date April 30, 2019
Street 710 W Main St.		Job Name Middle School Intercom
City State Zip Code New Hampton, Iowa 50659		Job Location Middle School
Contact Supt Jay Jurens	Proposal # 19120mb	Phone

We will provide, wire and install all the new addition with loudspeakers and call switches to match the system installed in the existing high school. All loudspeakers will be lay in ceiling type in all class rooms and hallways. Horn type loudspeakers will be installed in the gym and locker room areas. This equipment will connect to the high school intercom system and can be zoned as a separate area for all announcements and bell schedules if needed. Once everything has been installed we will program all needed functions and provide operational training.

Material:

- 54ea. Bogen CA15C Call Switches
- 70ea. Bogen CSD2X2U Ceiling Loudspeakers
- 4ea. Bogen SP15A Horns
- 10,500ft. Reliable Wire 22/4sp Intercom Cable
- All needed installation labor and hardware

We propose hereby to furnish material and labor complete in accordance with above specifications, for the sum of:

Thirty Seven Thousand Two Hundred Fifty Dollars dollars **\$37,250.00**

Payment to be made as follows:

35% Deposit, Balance Due Upon Completion.

All material is guaranteed to be as specified. All work to be completed in a workmanlike manner according to standard practices. Any alteration or deviation from above specifications involving extra costs will be executed only upon written orders, and will become an extra charge over and above the estimate. All agreements contingent upon strikes, accidents or delays beyond our control. Owner to carry fire, tornado and other necessary insurance. Our workers are fully covered by Workmen's Compensation insurance.

Authorized Signature

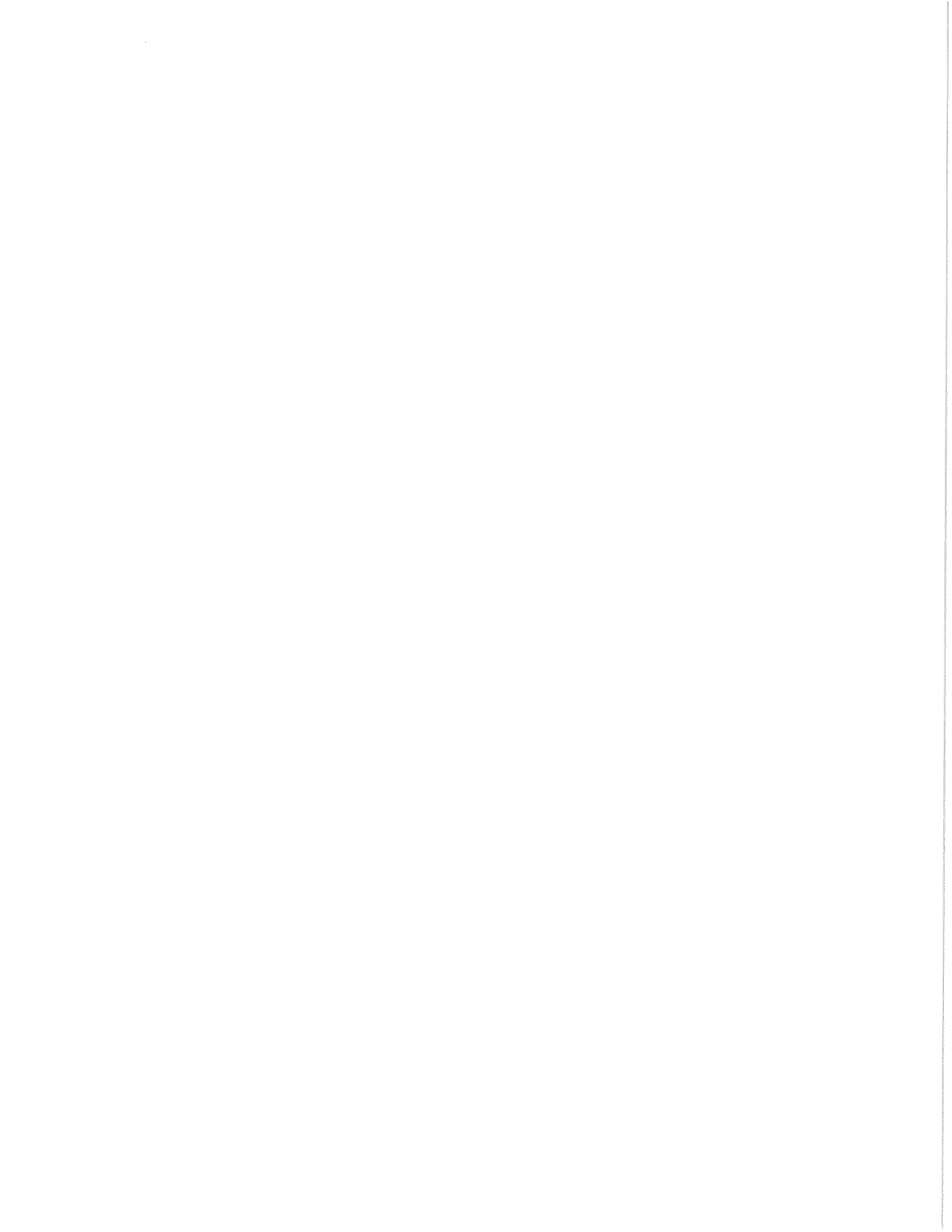
Mark A. Doubet

Note: This proposal may be withdrawn by us if not accepted within 30 days.

Acceptance of Proposal - The above prices, specifications and conditions are satisfactory and are hereby accepted. You are authorized to do the work as specified. Payment will be made as outlined above.

Signature

Date of Acceptance:





Call-In/Emergency Switch

Model CA15C

The Bogen Model CA15C is a momentary, rocker-type call switch designed for use in Bogen Multicom 2000® Communication Systems. When pushed and released once, the switch signals an administrator to establish a call through a two-way speaker. When pushed and released four times, the switch initiates an emergency call at the administrative station. The switch may also function as a single-push emergency switch, when the staff station is configured with Level 3 access.

The CA15C is designed for flush-mounting in a standard single-gang outlet box. Figure 1 illustrates the proper connection. The shield must not be grounded to the building ground at the outlet box or the speaker.

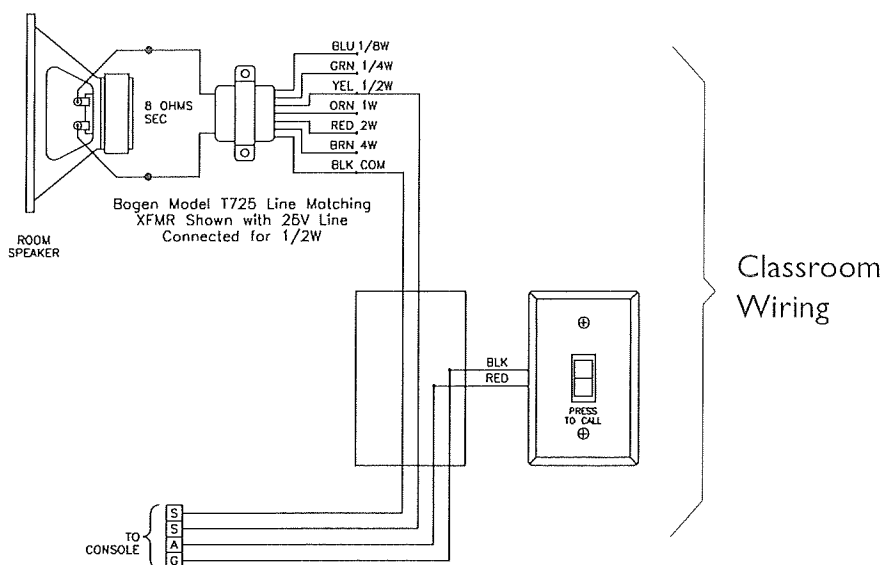


Figure 1 - CA15C Connecting Diagram

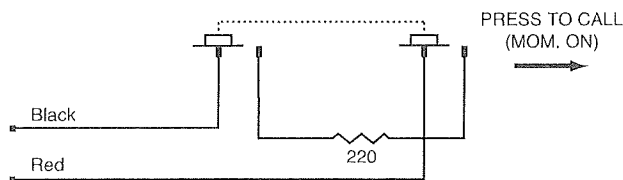
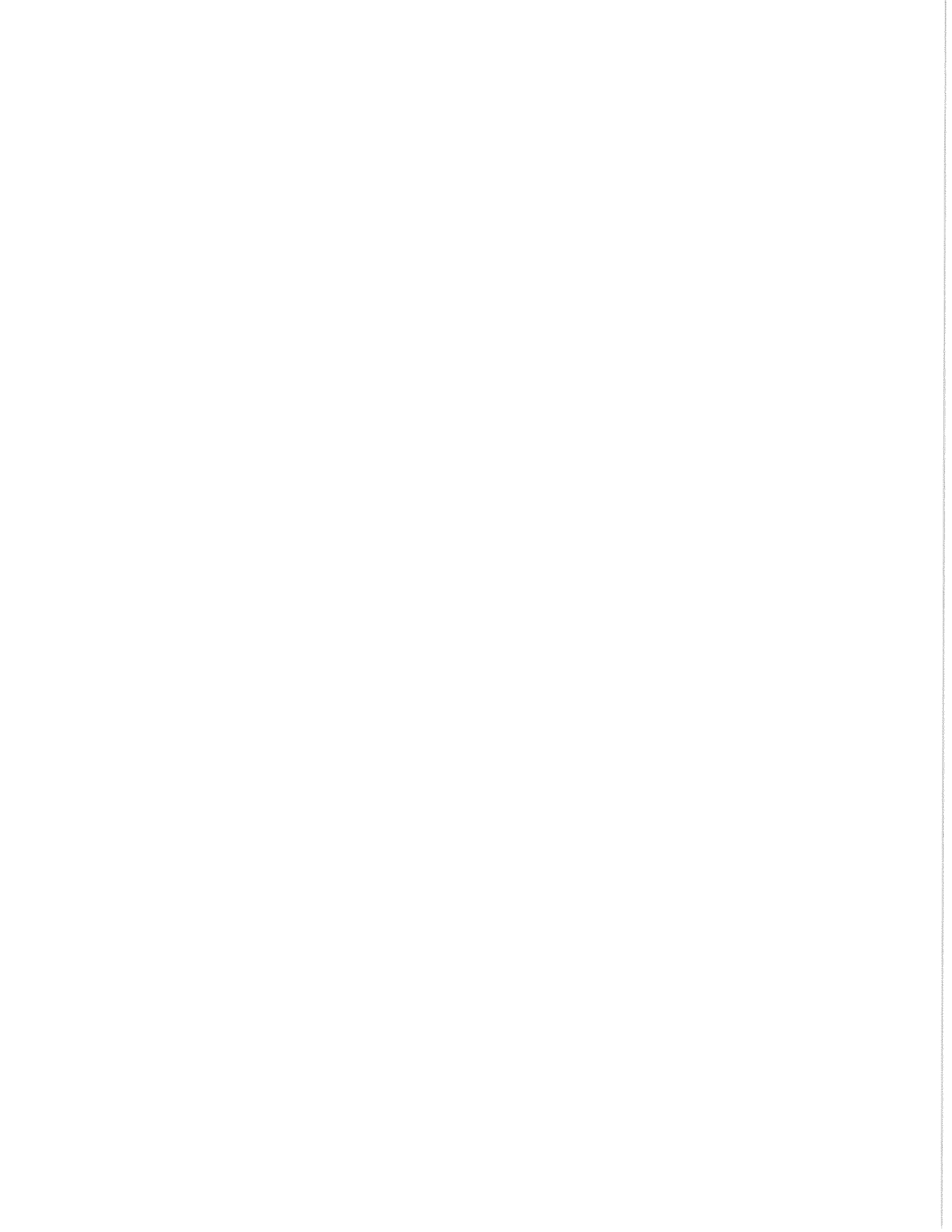


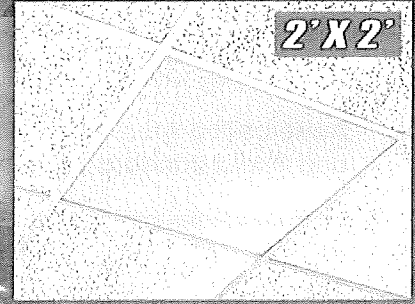
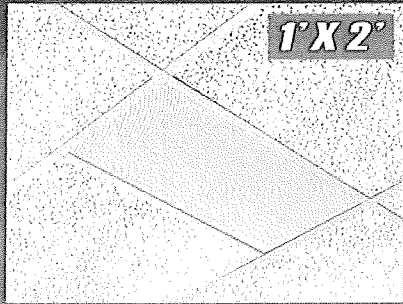
Figure 2 - CA15C Schematic Diagram



BOGEN

DROP-IN CEILING SPEAKERS

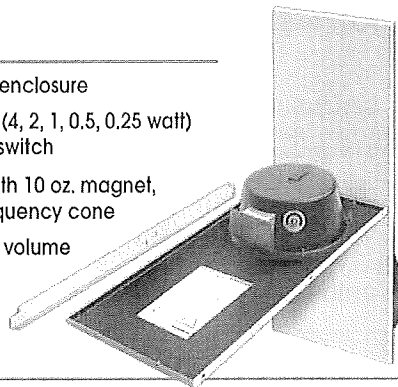
EASY TO INSTALL CEILING TILE SPEAKERS - SIMPLY CONNECT AND DROP INTO PLACE



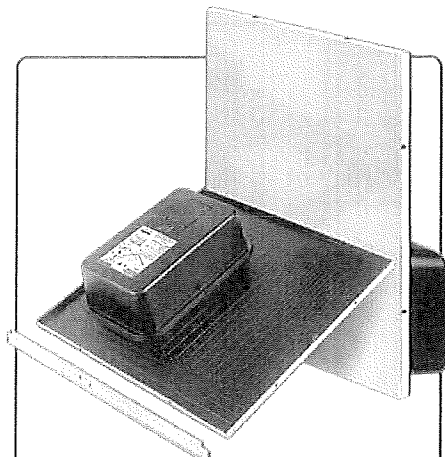
Available In
A Variety of
Styles to Meet
Your Needs

CSD1X2

- 1 ft. x 2 ft. with back can enclosure
- 70V/25V, 4W transformer (4, 2, 1, 0.5, 0.25 watt) taps; selected by rotary switch
- 8" main speaker cone with 10 oz. magnet, plus secondary high-frequency cone
- Front-mounted, recessed volume control available (VR)

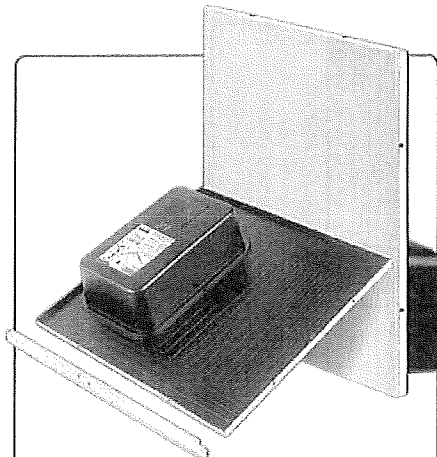


Available In
2 Color Choices:
Off-white and
Bright White



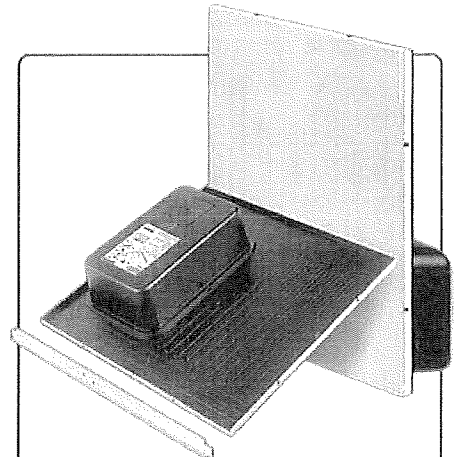
CSD2X2

- 2 ft. x 2 ft. with back can enclosure
- 70V/25V, 4W transformer (4, 2, 1, 0.5, 0.25 watt) taps; selected by rotary switch
- 8" main speaker cone with 10 oz. magnet, plus secondary high-frequency cone
- Front-mounted, recessed volume control available (VR)



CSD2X2L

- 2 ft. x 2 ft. with back can enclosure
- Low-impedance: 8-ohm speaker, 15W maximum power
- 8" main speaker cone with 10 oz. magnet, plus secondary high-frequency cone



ACD2X2

- 2 ft. x 2 ft. with back can enclosure
- Self-contained 1-watt amplifier
- For 24V, self-amplified systems, or as add-on to expand other systems
- 8" main speaker cone with 10 oz. magnet, plus secondary high-frequency cone
- Front-mounted, recessed volume control

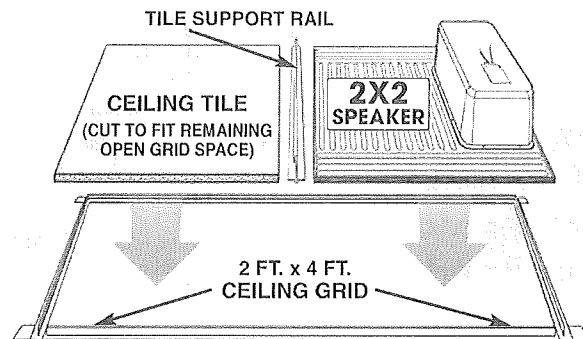
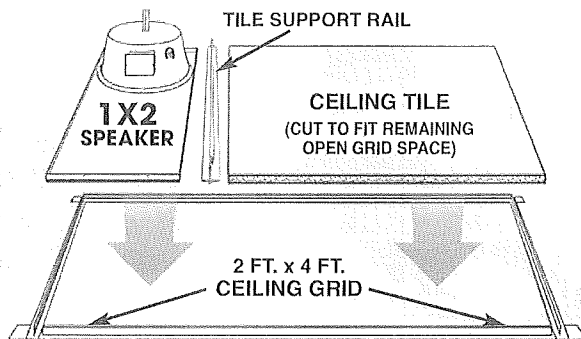
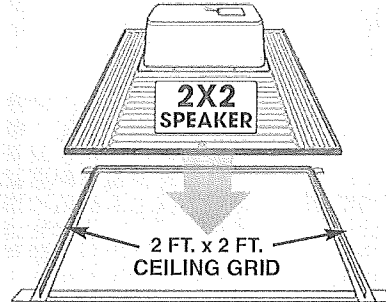
CSD1X2, CSD2X2, and ACD2X2 Series Drop-In Ceiling Speakers

All Models Feature:

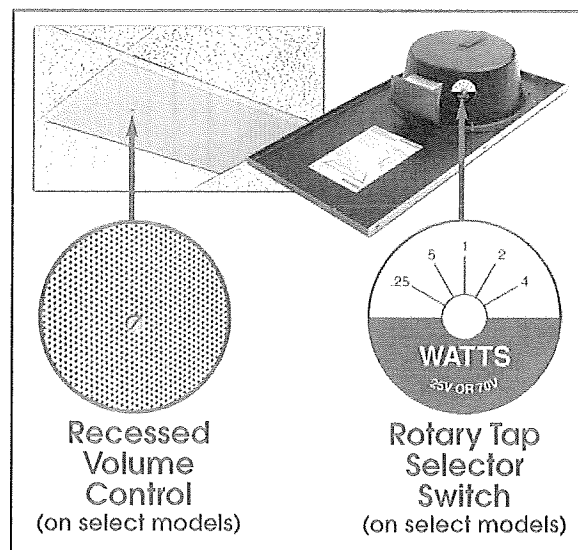
Finely perforated grille over entire front of speaker • Industrial-grade Steel Construction
Choose Bright White or Off-white Grille Finish • Support Rail Crossbar (included) • Seismic Attachment Points

These ceiling speakers are fast and easy to install, and fit into standard 2 ft. x 2 ft. or 2 ft. x 4 ft. grids.

- 1 Place speaker in ceiling grid.
- 2 Make a simple cut to the ceiling tile (if necessary).
- 3 Lay Tile Support Rail across ceiling grid (if necessary).
- 4 Drop speaker into place.



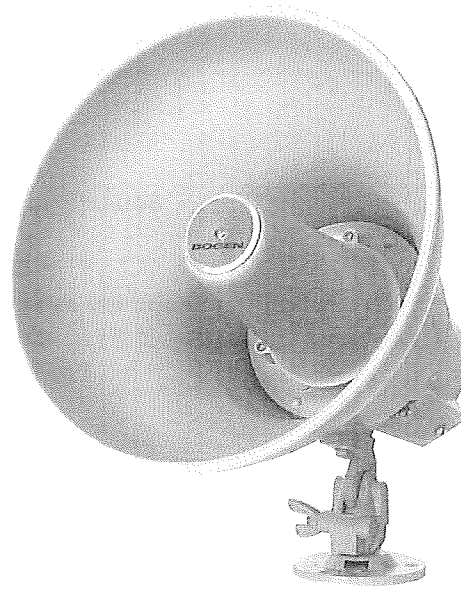
Model	Speaker Size		Grille Color		Impedance			Speaker Back Can	Recessed Volume Control
	1 ft. x 2 ft.	2 ft. x 2 ft.	Off-white	Bright White	70V/25V (4W max.)	8-ohm (15W max.)	24V Self-Amplified (1W max.)		
CSD1X2	●		●		●			●	
CSD1X2U	●			●	●			●	
CSD1X2VR	●		●		●			●	●
CSD1X2VRU	●			●	●			●	●
CSD2X2		●	●		●			●	
CSD2X2U		●		●	●			●	
CSD2X2VR		●	●		●			●	●
CSD2X2VRU		●		●	●			●	●
CSD2X2L		●	●			●		●	
CSD2X2LU		●		●		●		●	
ACD2X2		●	●				●	●	●
ACD2X2U		●		●			●	●	●



For complete specifications of all models, visit: www.bogen.com

Reentrant Horn Loudspeakers

Models SPT15A and SP158A



Description

The Bogen SPT15A and SP158A are compact, high intelligibility, reentrant type loudspeakers, designed for one-way or two-way sound and communication systems. Their sturdy, weatherproof, all-metal construction is ideal for indoor and outdoor use in industrial plants, warehouses, schools, construction sites, transportation terminals, and recreational areas.

The Model SPT15A has a built-in, rotary impedance selector switch for matching the speaker power requirements to a 25V or 70V constant-voltage line. The model SP158A has an 8-ohm impedance only.

Features

- High intelligibility and efficiency; ideal for both one-way and talk back applications
- Weatherproof, all-metal construction
- 15 watts; 25/70 volt (SPT15A) or 8-ohm (SP158A) operation
- Tap settings for 70V: 15, 7.5, 3.8, 1.8, 0.9 watts; for 25V: 15, 7.5, 1.8, 0.94, 0.46 watts
- Rotary tap impedance selector on SPT15A
- Tilt and swivel base for easy positioning
- Screw terminals make installation fast and easy
- All-purpose mounting bracket
- Self-aligning, field replaceable diaphragm
- Mocha enamel finish
- Limited lifetime warranty
- Mountable to I-beam flange using Bogen's BC1 Beam Clamp (sold separately)
- Mountable to electrical box using Bogen's HSES10 mounting strap (sold separately)
- Terminal Cover (TCSPT1) allows connection of conduit fittings to horn speakers (sold separately)

BOGEN®

Specifications subject to change without notice.
© 1995 Bogen Communications, Inc.
54-7612-05D 0904

Technical Specifications

Power Rating (RMS): 15 watts continuous, 20 watts equalized
Frequency Response: 275 Hz to 14 kHz
Impedance:
SPT15A — 25/70 volts
SP158A — 8 ohms
Sound Pressure Level: 121 dB @ four feet on axis with 15 watt input @ 1000 Hz
Dispersion: 110°
Sensitivity as Microphone: -22 dBm [Ref: 10 dynes/cm²]
Dimensions: 9" Diameter x 9-1/4" D
Product Weight:
SPT15A — 4 lb.
SP158A — 3 lb.

Finish: Textured mocha enamel
Impedance Selector Switch Settings (SPT15A only): 25V @ 15, 7.5, 1.8, 0.94, 0.46 watts
 70V @ 15, 7.5, 3.8, 1.8, 0.9 watts

Sound Pressure Level in dB @ 1000Hz:	Watts	Feet on Axis				
		4	8	16	32	64
Input:						
15		121	115	109	103	97
7.5		118	112	106	100	94
3.8		115	109	103	97	91
1.8		112	106	100	94	88
0.9		109	103	97	91	85
0.46		106	100	94	88	82

Architect and Engineer Specifications

The loudspeaker shall be a Bogen Model _____ (specify SPT15A or SP158A), or approved equal, reentrant type horn loudspeaker. The frequency response shall be 275 Hz to 14 kHz. Rated power output shall be 15 watts, RMS continuous. Dispersion shall be 110°. Sound pressure level, measured four feet on axis with 15 watt input @ 1000 Hz, shall be at least 121 dB.

Use for SPT15A. The unit shall incorporate a seven-position weather-sealed switch, to allow matching the loudspeaker to a 25V or 70V constant-voltage line. Power handling capacity shall be adjustable at 70V to 0.9, 1.8, 3.8, 7.5, or 15 watts, and at 25V to 0.46, 0.94, 1.8, 7.5, or 15 watts.

Use for SP158A. The unit shall have an impedance of 8 ohms.

The loudspeaker shall be of weatherproof, all-metal construction, with driver enclosed within a weatherproof housing. The loudspeaker shall include a self-aligning, field-replaceable diaphragm.

Screw terminals shall be provided for connection to the audio line. A plastic cover shall be provided to protect the connectors and impedance selector switch, and provide strain relief for the audio line.

An all-purpose mounting bracket shall provide precise positioning in the vertical and horizontal planes with a single adjustment. The bracket shall include banding slots to permit mounting the loudspeaker on beams or pillars. Bracket and loudspeaker shall be finished in textured mocha enamel. The unit shall measure 9" diameter by 9-1/4" D. Product weight shall be _____ (insert 4 lb. for SPT15A, 3 lb. for SP158A).

BOGEN®
COMMUNICATIONS, INC.

50 Spring Street, Ramsey, NJ 07446, U.S.A.
 Tel. 201-934-8500; FAX: 201-934-9832; www.bogen.com